

General Technical Details:

Applications: Storage inductor for high efficiency DC/DC converters

Especially used by buck converters

Filter for audio applications

Characteristics: High saturation current

Very low core losses - ferrite (MnZn)

Operation temperature: -40°C to +125°C

High current capability

Design: Ferrite core PQ20/16

Winding with flat copper - single layer
less temperature rise

Terminals for SMD

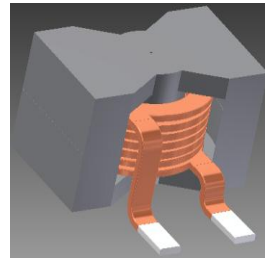
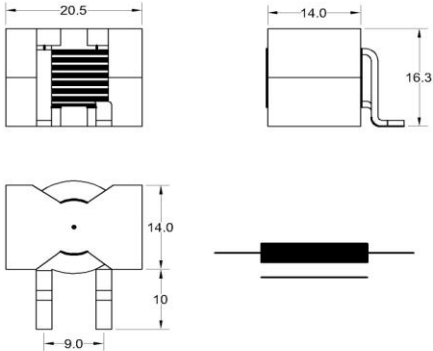
Dimensions Tolerance: Housing : $\pm 0,8\text{mm}$

Terminal Length: $\pm 1,0\text{mm}$

Grid Size: $\pm 1,0\text{mm}$

6.1.SMD - HIGH CURRENT CHOKES

Drawing with schematic



- Drawing is not to scale
- Tolerance of Component and Technical Details are on Pg-120
- Customisation in product can be checked on request
- Terminals: Flat copper wire

Electrical datas and order number:

| IR in A | LR in μH | RDC - $\text{m}\Omega$ | PIN |
|---------|---------------------|------------------------|-------------|
| 10.00 | 12 | 0.060 | PZS-JKA-A01 |
| 16.00 | 8.0 | 0.070 | PZS-JKA-A02 |
| 20.00 | 5.0 | 0.050 | PZS-JKA-A03 |
| 25.00 | 2.7 | 0.025 | PZS-JKA-A04 |
| 30.00 | 2.2 | 0.020 | PZS-JKA-A05 |
| 36.00 | 1.0 | 0.015 | PZS-JKA-A06 |