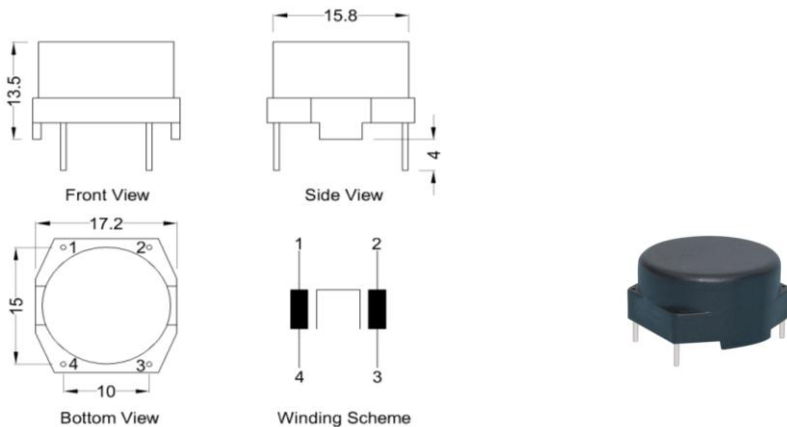


2.1. Current Compensated Chokes, 2 Windings - Encapsulated**General Technical Details:**

Voltage Rating - U_R :	250 V _{ac}	
High Voltage Test - U_P :	1500 V _{ac} - 50Hz - 2s	Winding to Winding
Current Rating - I_R :	At 50Hz and 40°C Ambient Temperature	
Inductance Tolerance:	-30% to +50%	
Nominal Inductance - L_R :	Measured at 25°C; Test Current: 0.1mA Test Frequency: – 100kHz for $L_R \leq 1\text{mH}$ – 10kHz for $L_R > 1\text{mH}$	According to IEC 60938
Climatic Class:	40/125/56	According to IEC 60068-1
Design:	– Toroidal Ferrite Core – Plastic Housing made of PA or PET – Fully or Partly Potted with Resin – Windings Separated – Housing and Resin with Flame Retardant (FR) material, UL94 V-0	
Dimensions Tolerance:	Housing: $\pm 0.5\text{mm}$ Terminal Length: $- 0.5\text{mm}$ Grid Size: $\pm 0.2\text{mm}$	

2.1. Current Compensated Choke, 2 Windings - Encapsulated in Horizontal Type

Drawing with Schematic:



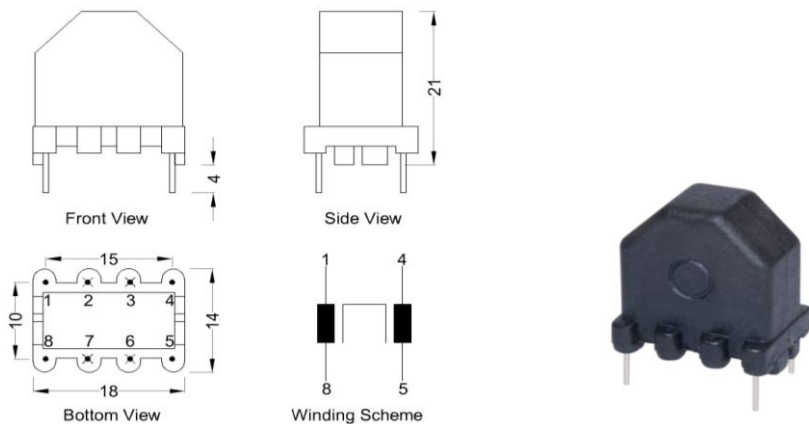
- Drawing is not to scale
- Tolerance of Housing and Technical Details are on Pg-12
- Customisation in product can be checked on request
- Terminal Pins: \varnothing 0.6mm or \square 0.5mm
- Weight: 5 Grams, Approximately

Electrical Data and Part Identification Number (PIN):

I_R in A	L_R in μH	R_{DC} in $m\Omega$	PIN
0.4	27000	1700	PZH-AAA-A01
0.7	10000	600	PZH-AAA-A02
1.2	6800	280	PZH-AAA-A03
2.0	1000	90	PZH-AAA-A04
2.6	400	60	PZH-AAA-A05
3.6	400	35	PZH-AAA-A06

2.1. Current Compensated Choke, 2 Windings - Encapsulated in Vertical Type

Drawing with Schematic:



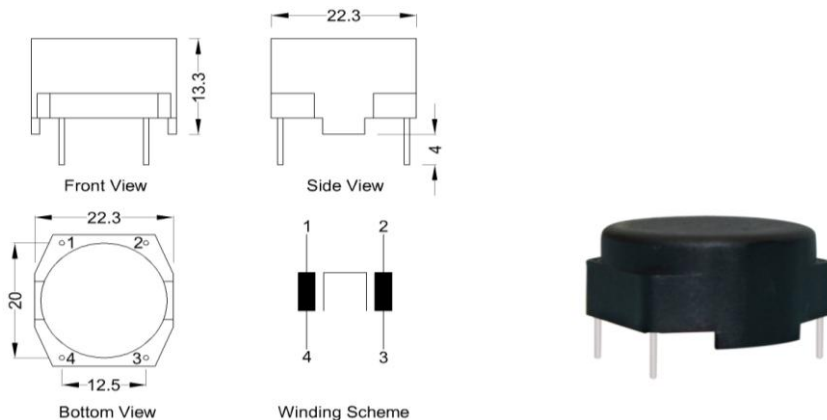
- Drawing is not to scale
- Tolerance of Housing and Technical Details are on Pg-12
- Customisation in product can be checked on request
- Terminal Pins: \varnothing 0.6mm or \square 0.5mm
- Weight: 5 Grams, Approximately

Electrical Data and Part Identification Number (PIN):

I_R in A	L_R in μH	R_{DC} in $m\Omega$	PIN
0.4	27000	1700	PZV-AAA-A07
0.7	10000	600	PZV-AAA-A08
1.2	6800	280	PZV-AAA-A09
2.0	1000	90	PZV-AAA-A10
2.6	400	60	PZV-AAA-A11
3.6	400	35	PZV-AAA-A12

2.1. Current Compensated Choke, 2 Windings - Encapsulated in Horizontal Type

Drawing with Schematic:



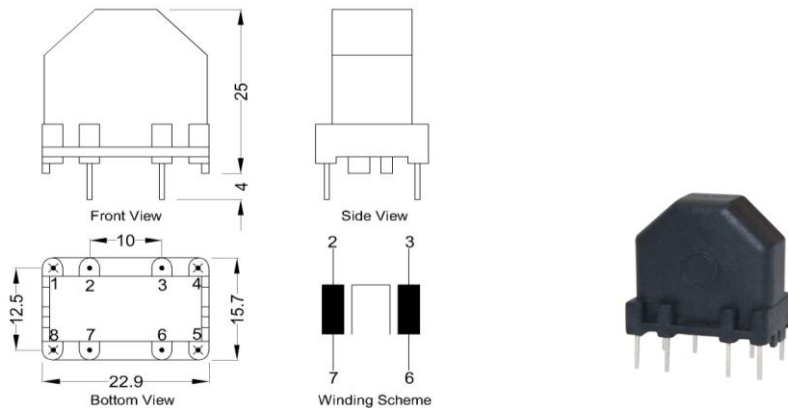
- Drawing is not to scale
- Tolerance of Housing and Technical Details are on Pg-12
- Customisation in product can be checked on request
- Terminal Pins: \varnothing 0.7mm or \square 0.6mm
- Weight: 10 Grams, Approximately

Electrical Data and Part Identification Number (PIN):

I_R in A	L_R in μH	R_{DC} in $m\Omega$	PIN
0.3	47000	2500	PZH-AAA-A13
0.5	27000	1200	PZH-AAA-A14
1.0	10000	480	PZH-AAA-A15
2.0	2200	130	PZH-AAA-A16
3.0	1200	56	PZH-AAA-A17
4.0	800	28	PZH-AAA-A18

2.1. Current Compensated Choke, 2 Windings - Encapsulated in Vertical Type

Drawing with Schematic:



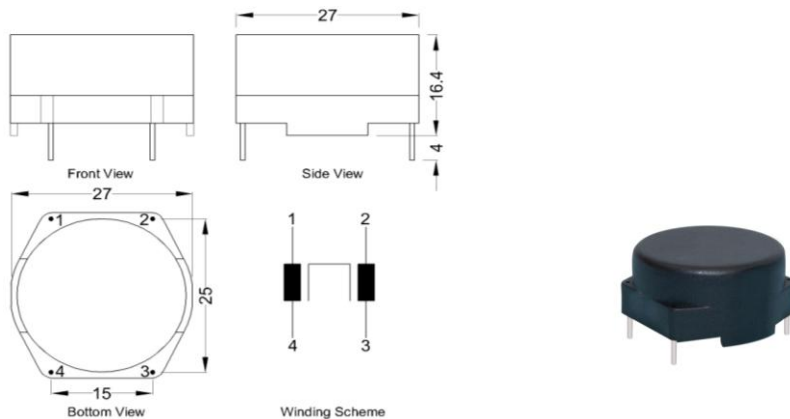
- Drawing is not to scale
- Tolerance of Housing and Technical Details are on Pg-12
- Customisation in product can be checked on request
- Terminal Pins: \varnothing 0.7mm or \square 0.6mm
- Weight: 10 Grams, Approximately

Electrical Data and Part Identification Number (PIN):

I_R in A	L_R in μH	R_{DC} in $m\Omega$	PIN
0.3	47000	2500	PZV-AAA-A19
0.5	27000	1200	PZV-AAA-A20
1.0	10000	480	PZV-AAA-A21
2.0	2200	130	PZV-AAA-A22
3.0	1200	56	PZV-AAA-A23
4.0	800	28	PZV-AAA-A24

2.1. Current Compensated Choke, 2 Windings - Encapsulated in Horizontal Type

Drawing with Schematic:



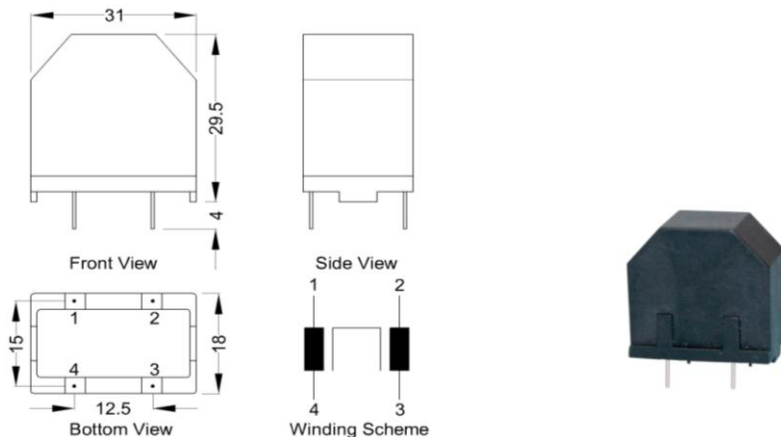
- Drawing is not to scale
- Tolerance of Housing and Technical Details are on Pg-12
- Customisation in product can be checked on request
- Terminal Pins: \varnothing 0.7mm or \square 0.6mm
- Weight: 20 Grams, Approximately

Electrical Data and Part Identification Number (PIN):

I_r in A	L_r in μH	R_{DC} in mΩ	PIN
0.6	39000	1100	PZH-AAA-A25
1.0	27000	750	PZH-AAA-A26
1.4	27000	440	PZH-AAA-A27
2.0	5600	160	PZH-AAA-A28
4.0	2700	60	PZH-AAA-A29
6.0	400	25	PZH-AAA-A30

2.1. Current Compensated Choke, 2 Windings - Encapsulated in Vertical Type

Drawing with Schematic:



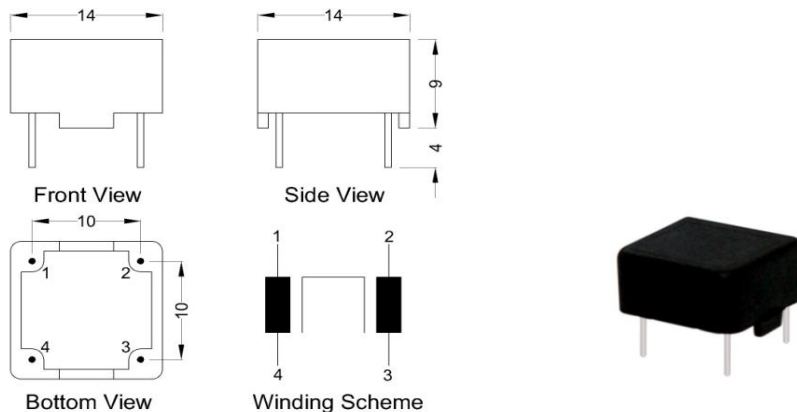
- Drawing is not to scale
- Tolerance of Housing and Technical Details are on Pg-12
- Customisation in product can be checked on request
- Terminal Pins: \varnothing 0.7mm or \square 0.6mm
- Weight: 20 Grams, Approximately

Electrical Data and Part Identification Number (PIN):

I_R in A	L_R in μH	R_{DC} in $m\Omega$	PIN
0.6	39000	1100	PZV-AAA-A31
1.0	27000	750	PZV-AAA-A32
1.4	27000	440	PZV-AAA-A33
2.0	5600	160	PZV-AAA-A34
4.0	2700	60	PZV-AAA-A35
6.0	400	25	PZV-AAA-A36

2.1. Current Compensated Choke, 2 Windings - Encapsulated in Horizontal Type

Drawing with Schematic:



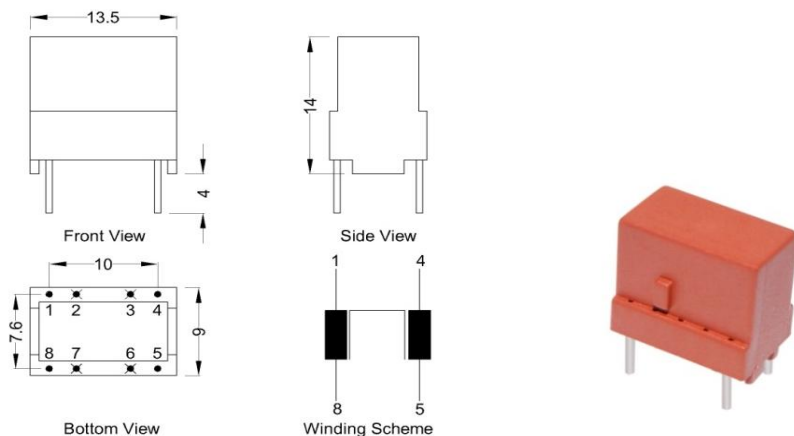
- Drawing is not to scale
- Tolerance of Housing and Technical Details are on Pg-12
- Customisation in product can be checked on request
- Terminal pins: \varnothing 0.6mm or \square 0.5mm
- Weight: 2.5 Grams, Approximately

Electrical Data and Part Identification Number (PIN):

I_R in A	L_R in μH	R_{DC} in $m\Omega$	PIN
0.3	22000	1500	PZH-AAA-A37
0.3	12000	1100	PZH-AAA-A38
0.6	4400	400	PZH-AAA-A39
1.0	3000	220	PZH-AAA-A40
1.5	1600	110	PZH-AAA-A41
2.0	1100	65	PZH-AAA-A42

2.1. Current Compensated Choke, 2 Windings - Vertical Type

Drawing with Schematic:



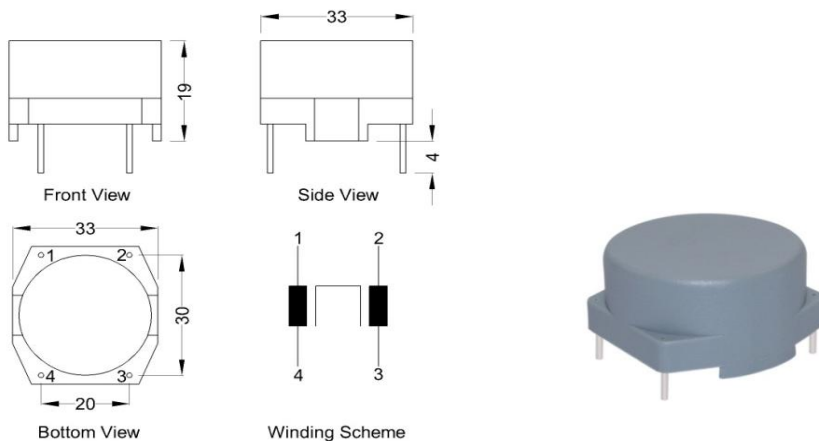
- Drawing is not to scale
- Tolerance of Housing and Technical Details are on Pg-12
- Customisation in product can be checked on request
- Terminal Pins: \varnothing 0.6mm or \square 0.5mm
- Weight: 2.5 Grams, Approximately

Electrical Data and Part Identification Number (PIN):

I_R in A	L_R in μH	R_{DC} in $m\Omega$	PIN
0.3	22000	1500	PZV-AAA-A43
0.3	12000	1100	PZV-AAA-A44
0.6	4400	400	PZV-AAA-A45
1.0	3000	220	PZV-AAA-A46
1.5	1600	110	PZV-AAA-A47
2.0	1100	65	PZV-AAA-A48

2.1. Current Compensated Choke, 2 Windings - Encapsulated in Horizontal Type

Drawing with Schematic:



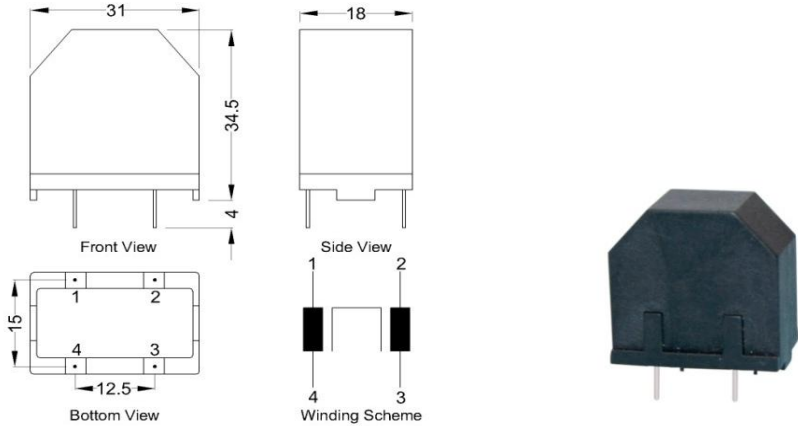
- Drawing is not to scale
- Tolerance of Housing and Technical Details are on Pg-12
- Customisation in product can be checked on request
- Terminal Pins: \varnothing 0.7mm or \square 0.7mm
- Weight: 25 Grams, Approximately

Electrical Data and Part Identification Number (PIN):

I_R in A	L_R in μH	R_{DC} in m Ω	PIN
1.0	33000	750	PZH-AAA-A49
1.4	27000	460	PZH-AAA-A50
2.2	20000	250	PZH-AAA-A51
3.0	12000	125	PZH-AAA-A52
4.0	4700	65	PZH-AAA-A53
6.0	1800	30	PZH-AAA-A54

2.1. Current Compensated Choke, 2 Windings - Encapsulated in Vertical Type

Drawing with Schematic:



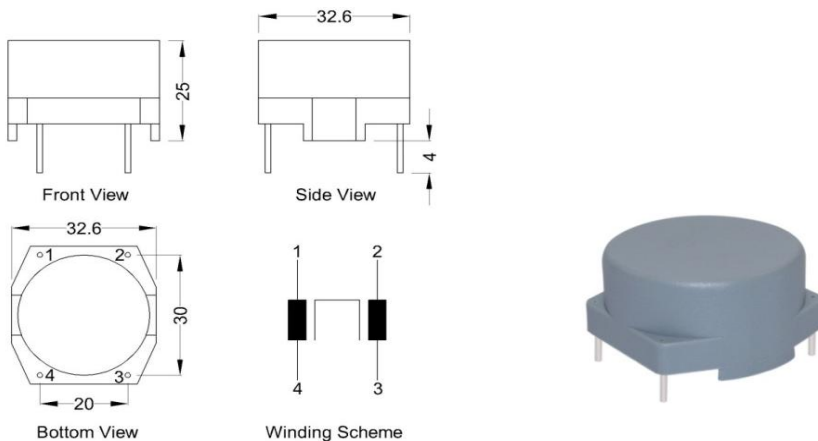
- Drawing is not to scale
- Tolerance of Housing and Technical Details are on Pg-12
- Customisation in product can be checked on request
- Terminal Pins: \varnothing 0.7mm or \square 0.7mm
- Weight: 25 Grams, Approximately

Electrical Data and Part Identification Number (PIN):

I_R in A	L_R in μH	R_{DC} in $m\Omega$	PIN
1.0	33000	750	PZV-AAA-A55
1.4	27000	460	PZV-AAA-A56
2.2	20000	250	PZV-AAA-A57
3.0	12000	125	PZV-AAA-A58
4.0	4700	65	PZV-AAA-A59
6.0	1800	30	PZV-AAA-A60

2.1. Current Compensated Choke, 2 Windings - Encapsulated in Horizontal Type

Drawing with Schematic:



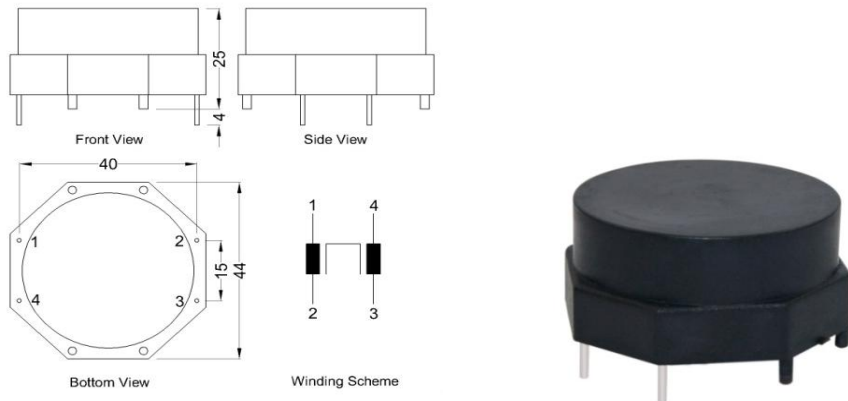
- Drawing is not to scale
- Tolerance of Housing and Technical Details are on Pg-12
- Customisation in product can be checked on request
- Terminal Pins: \varnothing 0.7mm or \square 0.7mm
- Weight: 40 Grams, Approximately

Electrical Data and Part Identification Number (PIN):

I_R in A	L_R in μH	R_{DC} in m Ω	PIN
1.0	47000	880	PZH-AAA-A61
1.5	39000	530	PZH-AAA-A62
1.8	33000	400	PZH-AAA-A63
2.0	27000	260	PZH-AAA-A64
4.0	7000	65	PZH-AAA-A65
6.0	1800	23	PZH-AAA-A66

2.1. Current Compensated Choke, 2 Windings - Encapsulated in Horizontal Type

Drawing with Schematic:



- Drawing is not to scale
- Tolerance of Housing and Technical Details are on Pg-12
- Customisation in product can be checked on request
- Terminal Pins: \varnothing 1.0mm or \square 0.7mm
- Weight: 60 Grams, Approximately

Electrical Data and Part Identification Number (PIN):

I_R in A	L_R in μH	R_{DC} in m Ω	PIN
1.0	68000	1300	PZH-AAA-A67
2.0	18000	350	PZH-AAA-A68
4.0	6800	90	PZH-AAA-A69
6.0	3900	44	PZH-AAA-A70
8.0	2700	25	PZH-AAA-A71
10.0	1800	15	PZH-AAA-A72